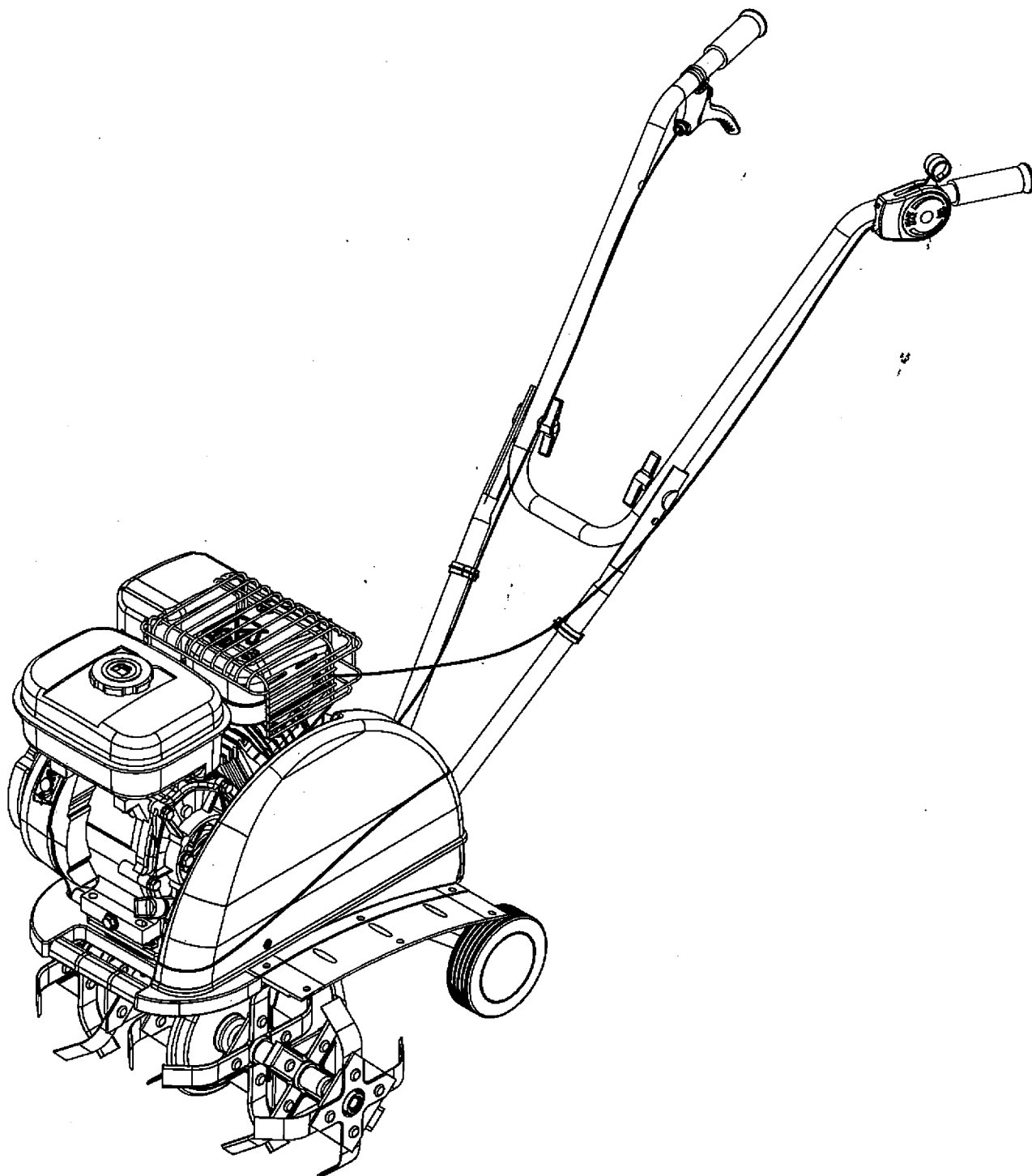
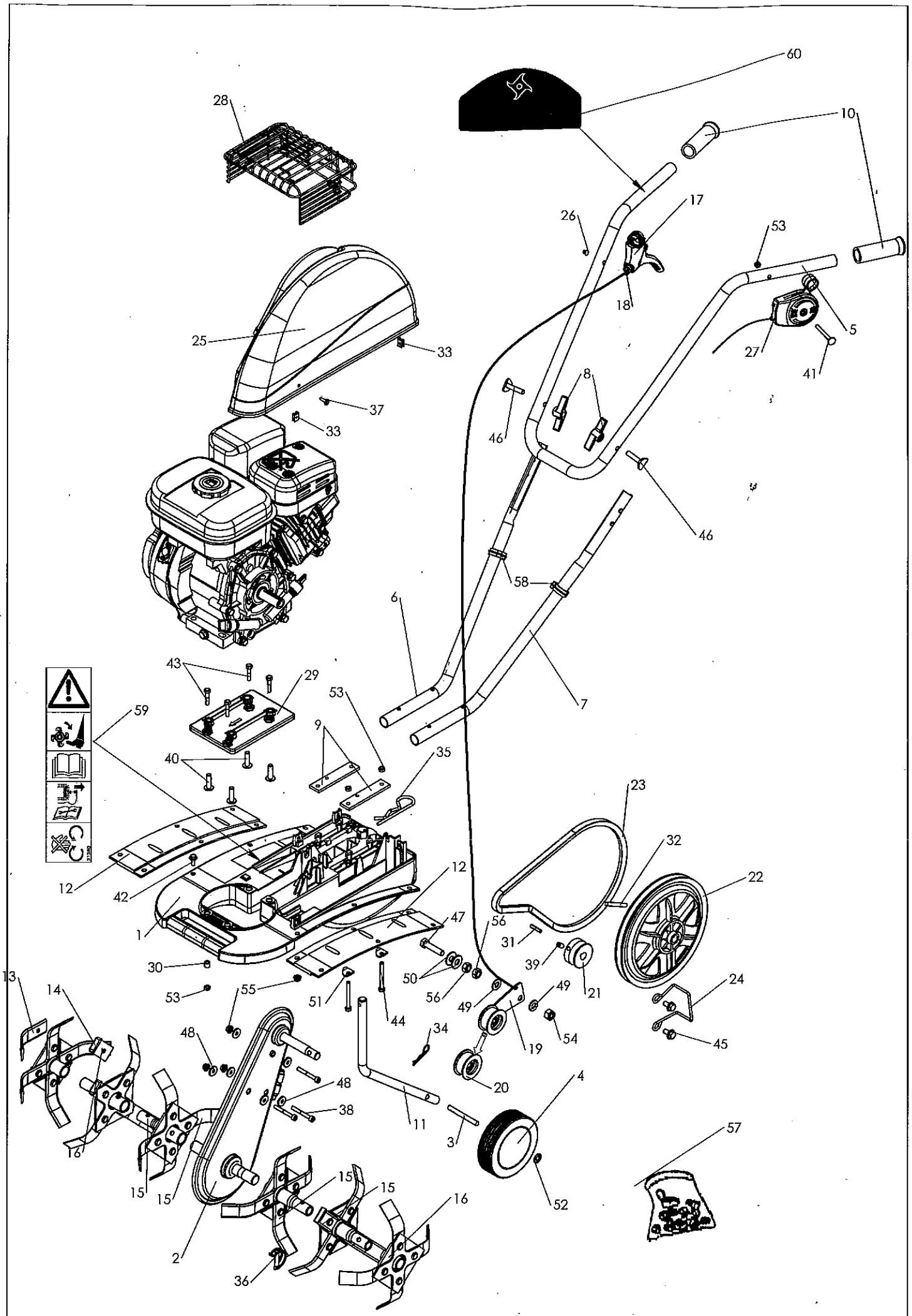


Pièces de rechange

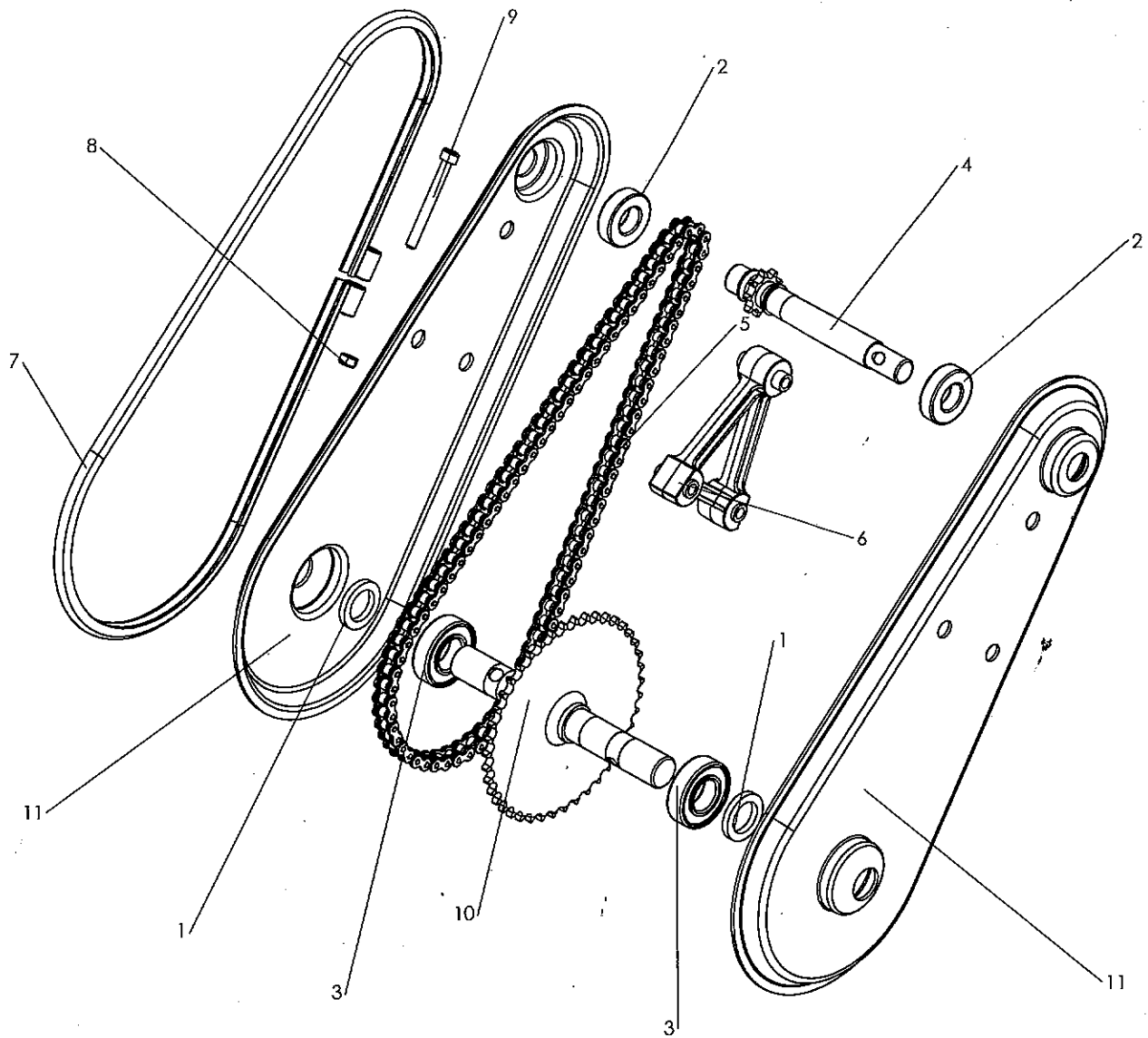
Spare parts list



MINITILLER
MECABECHE



Rep N°	Numéro de pièce	Designation	Description	Qté
1	0340060005	Châssis (Noir)	Chassis (Black)	1
2	6001010001	Carter complet à jonc (Noir)	Complete casing, flanged (Black)	1
3	0302010032	Axe roue de transport	Axle of travelling wheel	1
4	0309000010	Roue Ø130 ales 8 Noir	Transport wheel Ø130	1
5	6002010310	Guidon (partie haute)	Handelbars (top part)	1
6	6002010302	Guidon noir (partie droite basse)	Black handelbars (bottom right-hand part)	1
7	6002010303	Guidon noir (partie gauche basse)	Black handelbars (bottom left-hand part)	1
8	0300800004	Poignée de serrage guidon noire	Black handlebar tightening lever	2
9	6002010103	Platine fixation guidon	Handelbar fixing plate	2
10	0341000038	Poignée Ø22x100	Hand side grip	2
11	6002010301	Eperon noir	Black spur	1
12	0340060006	Protection noir	Black Guard	2
13	0001000291	Couteau interieur 30x3 D240	inside blade 30x3 D240	1
14	0001000292	Couteau exterieur 30x3, D240	Outside blade 30x3 D240	1
15	0320010017	Fraise départ 30x3 Ø240	Rotating blade 30x3 Ø240	4
16	0320010018	Fraise disque 30x3 Ø240	Disk blade 30x3 Ø240	2
17	0307010026	Levier LAB N2 B01 Ø22 course 17.5	Lever LAB N2 B01 Ø22 stroke 17.5	1
18	0308020044	Câble embr. Mécabèche	Clutch cable	1
19	6001010002	Levier d'embrayage	Clutch lever	1
20	0341000003	Galet embrayage	Clutch runner	1
21	0306060003	poulie moteur arbre Ø15	Motor pulley gear (Shaft Ø15)	1
22	0341000007	Poulie transmission	Transmission pulley	1
23	0306030053	Courroie Mitsuboshi LA 36	Belt (Mitsuboshi LA 36)	1
24	0305030011	Guide courroie EH09	Drive belt guide gear (EH 09)	1
25	0340060012	Capot courroie	Belt cowl	1
26	0341000034	Obturateur	Gate pin	1
27	0308040029	Câble de gaz + manette Q.Junior	Throttle cable + accelerator lever Q.Junior	1
28	0330082001	Grille d'échappement GT 241	Exhaust grill GT 241	1
29	0340060011	Plaque moteur Mécabèche	Engine fixing plate	1
30	0302020014	Entretoise 10 x 6.5 x 9.8	Spacer 10 x 6.5 x 9.8	4
31	0301040011	Clavette 5x5x25 BTS droits	Key 5 x 5 x 25	1
32	0302010021	Axe fixation poulie	Pulley pin shaft	1
33	0301050001	Clips 4.2	Clips 4.2	4
34	0301030001	Goupille Béta 2 Z	Clip pin beta 2 Z	1
35	0301030004	Goupille béta 5 Z	Clip pin beta 5 Z	1
36	0301010003	Goupille clip Ø8x32	Clip pin Ø8x32	6
37	0300080405	Vis Tôle 4.2x19	Screw 4.2x19	4
38	0300020605	Vis CHC M6x50	Screw CHC M6x50	3
39	0300040801	Vis ST HC M8x16	Screw ST HC M8x16	1
40	0300100801	Vis BHC M8x25z	Screw BHC 8x25z	4
41	0300080604	Vis TBCC M6x60 z	Screw TBCC M6x60 z	1
42	0300010609	Vis HM 6x16 z emb cr	Screw HM 6x16 z notched shoulder	6
43	0300010603	Vis HM6x30z	Screw HM6x30z	4
44	0300010606	Vis HM6x60z	Screw HM6x60z	4
45	0300010815	Vis HM 8x16 z emb cr	Screw H M8x16 z notched shoulder	2
46	0300090802	Vis M8x40 Z tête emboutie	Screw M8x40 Z forged head bolt	2
47	0300011005	Vis H M10x45 z	Screw H M10x45 z	1
48	0300410602	Rondelle 6.3x19x2.5 Z	Washer 6.3x19x2.5 Z	6
49	0300401002	Rondelle M 10x22x2 Z	Washer M 10x22x2 Z	2
50	0300401001	Rondelle M 10x27x2 Z	Washer M 10x27x2 Z	2
51	0300410601	Rondelle spéciale 6 forme Ø22	'6' shaped washer Ø22mm	4
52	0300460801	Rondelle Starlock Ø8	Starlock washer Ø8	1
53	0300210602	Ecrou frein M 6 Z	Blocking nut M 6 Z	9
54	0300211001	Ecrou frein M 10 Z	Blocking nut M 10 Z	1
55	0300260601	Ecrou HM 6 z emb cr	Nut H M6 z notched shoulder	9
56	0300201002	Ecrou HM 10z	Nut HM 10z	2
57	0300000009	Pochette visserie mécabèche	Bag of screws mécabèche	1
58	0301000001	Collier serrage câble	Collar	2
59	0503000036	Etiqu. "sécurité"	Safety label	1
60	0503000029	Etiqu. "Embrayage"	Label "clutch lever"	1



Rep N°	Ref.	Designation	Description	Qte
1	0341000030	Joint feutre carter	Joint	2
2	0306010006	Roulement 6003 2RS	Ball bearing 6003 2RS	2
3	0306010007	Roulement 6004 2 RS	Ball bearing 6004 2 RS	2
4	0306050005	Arbre primaire Mécabèche	Primary shaft	1
5	0306020010	Chaîne 9.52 (84 maillons)	Chain 9.52 (84 links)	1
6	0341000002	Entretoise carter mécabèche	Plastic spacer	1
7	6002010305	Jonc	Flange	1
8	0300210602	Ecrou frein M 6 Z	Blocking nut M 6 Z	1
9	0300020607	Vis CHC M6x55 z	Screw CHC M6x55 z	1
10	0306050009	Arbre de travail 42 dts x9.52	Blade shaft	1
11	6002010306	Joue carter	Transmission housing	2